

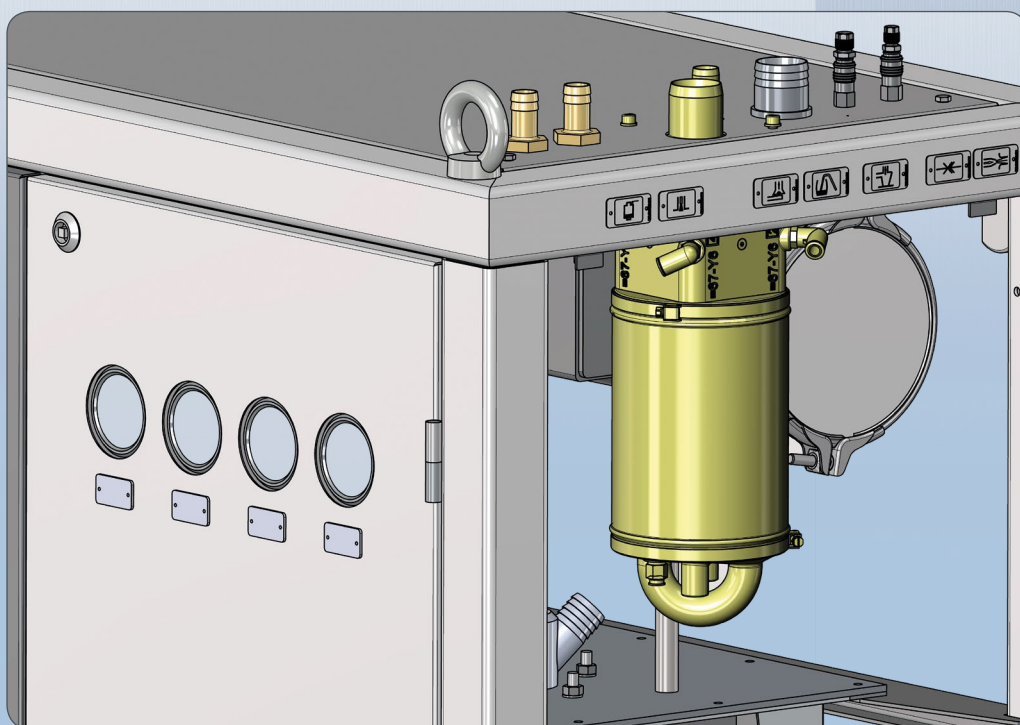


SOUCOAT – FDC-1000 COMPACT PRODUCTION INCREASE DUE TO AUTOMATIC FILTER CLEANING

Automatic filter cleaning during production guarantees a continuous and uninterrupted powder seam coating and increases the efficiency of the production plant.

ADVANTAGES

- Increase in production / efficiency of the plant
- Maintaining a constant vacuum in the SOUCOAT powder system
- Filter cleaning during production without line stop
- Interval time for filter cleaning can be selected via the controller



Bypass system for automatic filter cleaning

The installation of a bypass system in the FDC recycling unit enables continuous filter cleaning during production, thereby preventing filter contamination. This optimization creates a balanced vacuum in the system and increases its production. This automatic filter cleaning system can be activated via the controller and the interval for the recurring cleaning cycle can be individually set (standard interval time 30 min).

RETROFITTING

- Can be retrofitted to type FDC-1000 Compact SOUCOAT (construction order required)
- For UNICONTROL 2 and 3
- Cannot be retrofitted for programmable logic controllers