

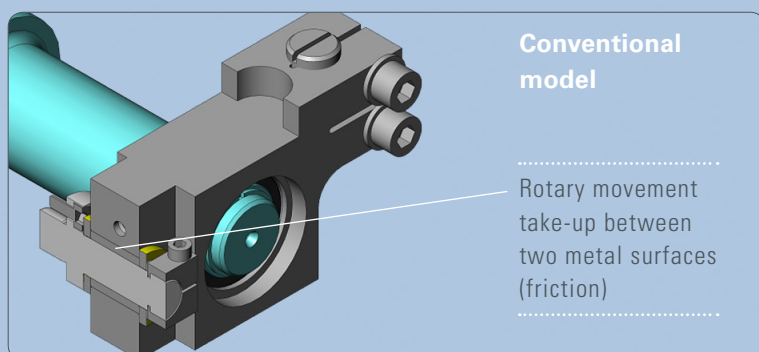
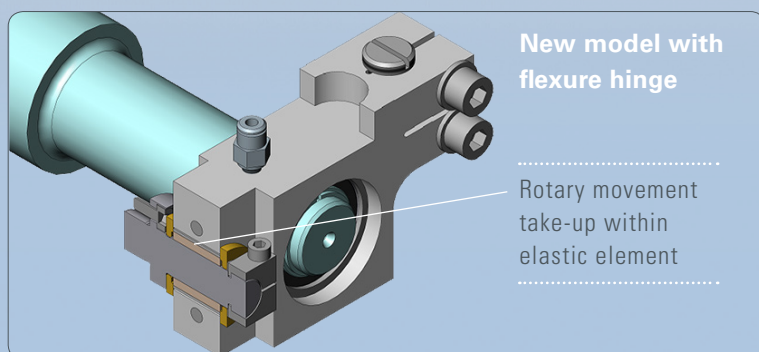
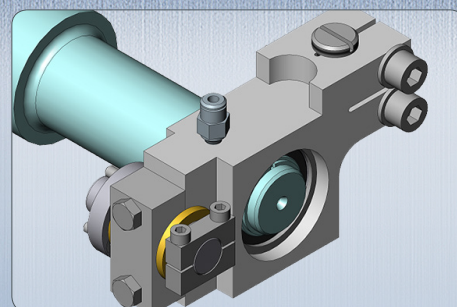


ROLLFORMER: SWIVEL BEARING WITH FLEXURE HINGE (FKG)

New innovative, wear-free swivel bearing for bearing transport, flexer and rounding rolls

The swivel bearings turn through only a small angle. The cut blanks conveyed by the transport rolls exert a considerable impact force. As a result of the high degree of wear, the plain bearings in the axes have to be replaced regularly.

By contrast with conventional slide bearings, this solution uses the principle of the flexure hinge. The rotary movement is absorbed by a single elastic element now instead of between two metal surfaces. This means that the slide bearings no longer suffer from wear and tear, and service life is correspondingly longer.



LISTING OF CUSTOMER BENEFIT / ADVANTAGES

- Less wear and tear
- Longer service life
- The elastic element reduces the impact of the swivel bearing on the anvil

RETROFITTING

- Can be retrofitted to all SOUCAN 800 and SOUCAN 1000 models
- Retrofitting to other machines, on request

Technology that keeps you ahead

Soudronic

Soudronic AG Industriestrasse 35 CH-8962 Bergdietikon +41 44 743 66 66 info@soudronic.com www.soudronic.com